

PARTS LIST

CAUTION

- The parts identified by the Δ symbol are important for the safety . Whenever replacing these parts, be sure to use specified ones to secure the safety .
- The parts not indicated in this Parts List and those which are filled with lines --- in the Parts No. columns will not be supplied .
- P. W. Board Ass'y will not be supplied, but those which are filled with the Parts No. in the Parts No. columns will be supplied .

ABBREVIATIONS OF RESISTORS, CAPACITORS

RESISTOR

RC..... CARBON RESISTOR

CAPACITORS

CC..... CERAMIC CAPACITOR
 CE..... ALUMI ELECTROLYTIC CAPACITOR
 CP..... POLYESTER CAPACITOR
 CPP..... POLYPROPYLENE CAPACITOR
 CPL..... PLASTIC CAPACITOR
 CMP..... METAL POLYESTER CAPACITOR
 CMPL..... METAL PLASTIC CAPACITOR
 CMPP..... METAL POLYPROPYLENE CAPACITOR

CONTENTS

- USING P.W. BOARD55
- MECHANICAL REPLACEMENT PARTS LIST 56
- MECHANICAL EXPLODED VIEW 57
- CHASSIS REPLACEMENT PARTS LIST 59
- CHASSIS EXPLODED VIEW (TOP VIEW) 60
- CHASSIS EXPLODED VIEW (BOTTOM VIEW) 61
- ELECTRICAL REPLACEMENT PARTS LIST 62
- PACKING & ACCESSORY REPLACEMENT PARTS LIST 69

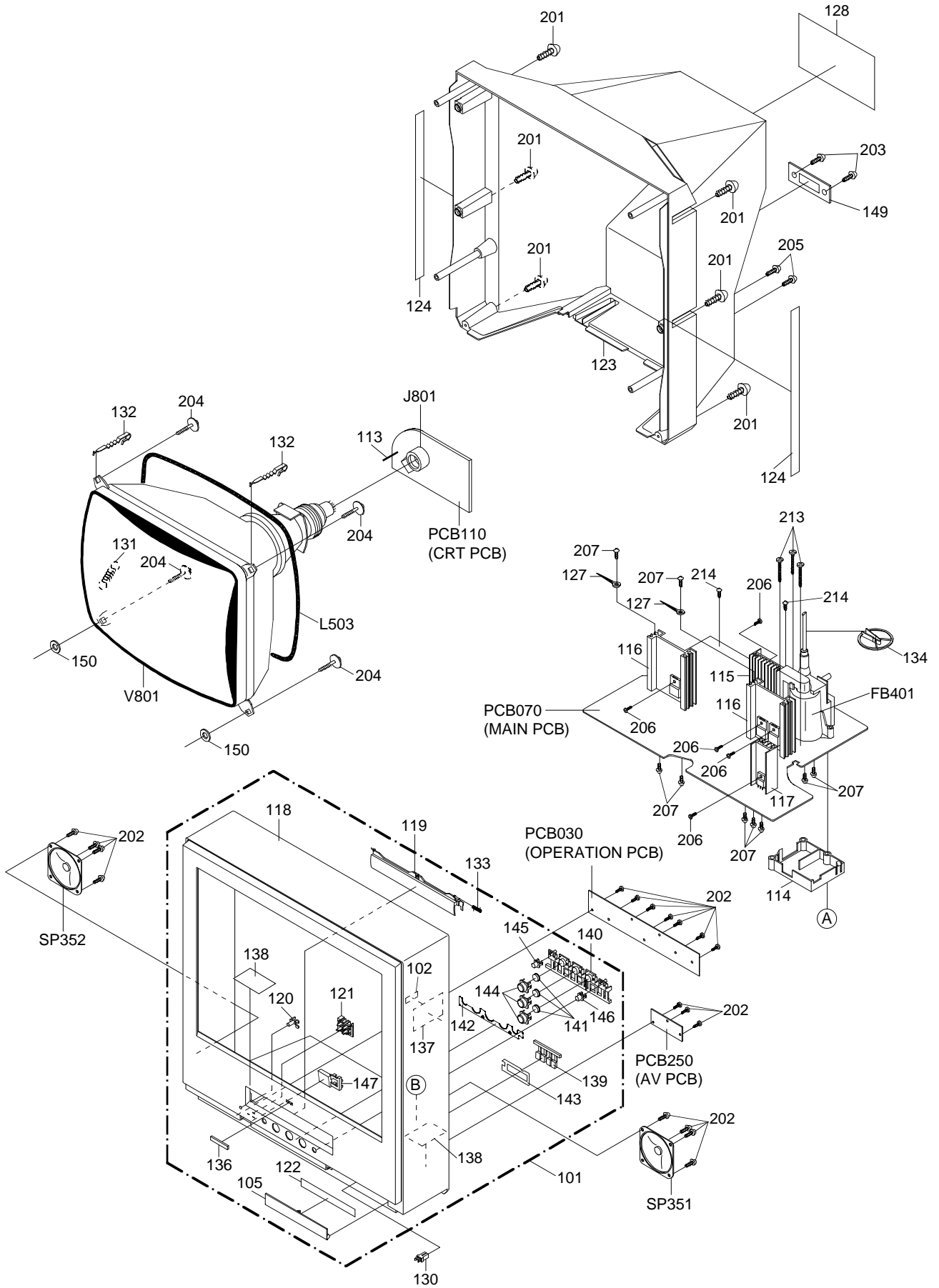
USING P.W. BOARD

Model	
	TV-20F242
P.W.B ASS'Y	
SYSCON PCB ASS'Y	X-A57202B01A
OPERATION PCB ASS'Y	X-A57202B030
MAIN PCB ASS'Y	X-A57202B07A
CRT PCB ASS'Y	X-A57202B110
DIGITAL COMB FILTER ASS'Y	X-A57202B30A
AV PCB ASS'Y	X-A57202B250
DECK PCB ASS'Y	X-A4C831B550

MECHANICAL REPLACEMENT PARTS LIST

REF. NO.	PART NO.	DESCRIPTION	REF. NO.	PART NO.	DESCRIPTION
101	X-A57202B720	CABINET,FRONT ASS'Y	201	X-8117540B04	SCREW,TAPPING(B0) TRUSS 4x20
102	X-7220001107	SHEET,HWC	202	X-8110630A04	SCREW,TAP TITE(P) BRAZIER 3x10
103	X-752WSA0209	SHIELD,CASE HEAD AMP	203	X-8117140A24	SCREW,TAPPING(B0) PAN 4x12
104	X-753WSA0118	PLATE,EARTH-SYSCON	204	X-81111J50D04	SCREW,TAPPING(A) GW22 5x40
105	X-712WPB0050	DOOR	205	X-8110630A24	SCREW,TAP TITE(P) BRAZIER 3x12
106	X-761WPA0198	HOLDER,DECK	206	X-8109130A04	SCREW,TAP TITE(B) WH7 3x10
107	X-763WAE0128	HEAT SINK	207	X-8109630802	SCREW,TAP TITE(B) BRAZIER 3x8
108	X-763WAA0160	HEAT SINK	208	X-8110330804	SCREW,TAP TITE(P) FLAT 3x8
109	X-771WPA0256	PLATE,JACK	209	X-8107630804	SCREW,TAP TITE(S) BRAZIER 3x8
110	X-82A97A4077	WASHER 9.7x14xT0.7	210	X-8107630604	SCREW,TAP TITE(S) BRAZIER 3x6
111	X-8300495207	NUT (VOLUME NUT 3/8 INCH)	211	X-8107226604	SCREW,TAP TITE(S) BIND 2.6x6
112	X-85OP700036	HOLDER,EOT SENSOR	213	X-810A130B04	SCREW/WASHER(A) M3x20
113	X-8990TPA002	COATING CLIP	214	X-810A130604	SCREW/WASHER(A) M3x6
114	X-761WPA0145	HOLDER,FBT			
115	X-763WAA0159	HEAT SINK			
116	X-763WAA0158	HEAT SINK			
117	X-763WAE0118	HEAT SINK			
119	X-712WPJ0721	FLAP			
120	X-713WPA0129	GUIDE,REMOCON			
121	X-713WPA0137	GLASS,LED			
122	X-7230007181	SHEET,INDICATER			
123	X-702WPA0750	CABINET,BACK			
124	X-800WQ00066	FELT SHEET			
125	X-752WSAA026	PLATE,DECK SHIELD ASS'Y			
126	X-761WPA0151	HOLDER,M/PCB			
127	X-8995034000	CORD CLIP UL CO.			
128	X-7225380005	SHEET,RATING			
130	X-890LA20000	NC LATCH(LA-2)			
131	X-741WUA0001	SPRING,EARTH			
132	X-762WPA0011	HOLDER,CRT WIRE			
133	X-743WKA0032	SPRING,FLAP			
134	X-899HV3T000	HOLDER,ANODE WIRE			
135	X-752WSAA027	SHIELD,COVER DECK			
136	X-7235380002	BADGE,BRAND			
137	X-7220001119	SHEET,CSA WARNING			
138	X-7260000322	SHEET,CRT SERVICEMAN			
139	X-735WPA0521	BUTTON,CHANNEL			
140	X-735WPD0725	BUTTON,FRAME			
141	X-735WPA0516	BUTTON,CLEAR			
142	X-753WSA0135	PLATE,EARTH1			
143	X-753WSA0136	PLATE,EARTH2			
144	X-735WPE0011	BUTTON,COVER			
145	X-735WPE0012	BUTTON,CAP(STOP)			
146	X-735WPE0013	BUTTON,CAP(REC)			
147	X-735WPJ0171	BUTTON,POWER			
148	X-753WUAA006	SPRING,EARTH HEAD AMP			
149	X-761WPA0210	HOLDER,BELT			
150	X-769WSA0007	WASHER CRT T=1			

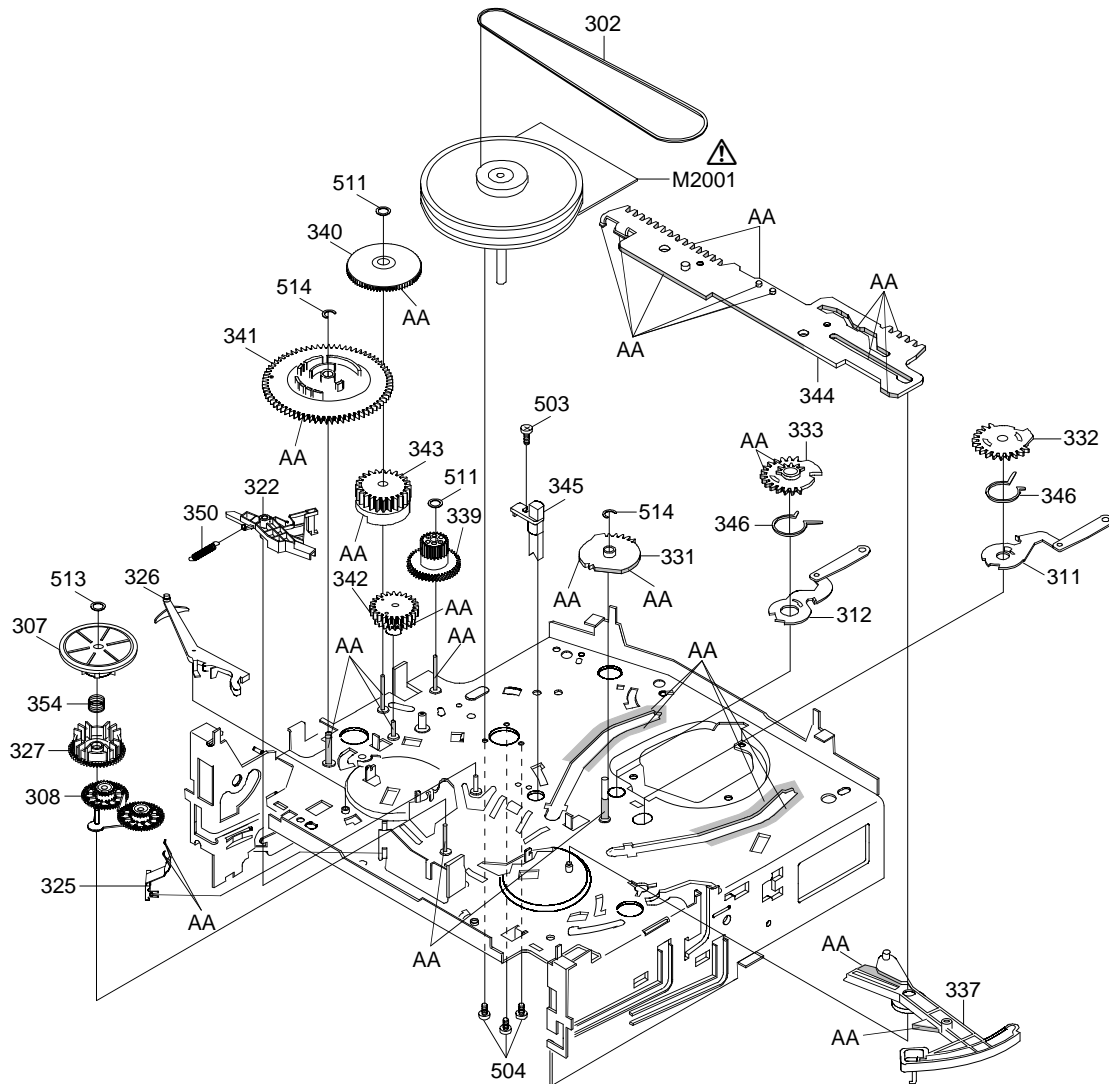
MECHANICAL EXPLODED VIEW (1/2)



CHASSIS REPLACEMENT PARTS LIST

REF. NO.	PART NO.	DESCRIPTION	REF. NO.	PART NO.	DESCRIPTION
301	X-85OA500022	AHC ASS'Y	501	X-8107126A04	SCREW,TAP TITE(S) PAN 2.6x10
302	X-85OP200290	BELT,CAPSTAN (S)	502	X-8107226804	SCREW,TAP TITE(S) BIND 2.6x8
303	X-85OP900710	LEVER,REC	503	X-8107226604	SCREW,TAP TITE(S) BIND 2.6x6
304	X-85OP500083	BASE,AC HEAD	504	X-8109126604	SCREW,TAP TITE(B) PAN 2.6x6
305	X-85OP800324	SPRING,AC HEAD	505	X-810A126804	SCREW/WASHER(A) M2.6x8
306	X-85OA000367	MAIN CHASSIS ASS'Y (S-Z)	506	X-810B126404	SCREW/WASHER(B) M2.6x4
307	X-85OA200082	CLUTCH ASS'Y(S2)	507	X-8102120604	SCREW,PAN M2x6
308	X-85OA200080	ARM,IDLER ASS'Y (S)	508	X-8102120304	SCREW,PAN M2x3
309	X-85OP600556	ARM,SS BRAKE (S)	509	X-8102130304	SCREW,PAN M3.0x3.0
310	X-85OP200292	REEL,T (S)	510	X-810A123504	SEMS A M2.3x5.0
311	X-85OA300061	LOADING ARM S ASS'Y	511	X-82P266005N	POLYSLIDER WASHER(CUT) 2.6x6.0xT0.5
312	X-85OA300062	LOADING ARM T ASS'Y	512	X-82Q2647C5N	POLYSLIDER WASHER 2.6x4.7xT0.25
313	X-85OA400210	GUIDE ROLLER ASS'Y	513	X-82P184505N	POLYSLIDER WASHER(CUT) 1.8x4.5xT0.5
314	X-85OA400188	BASE,INCL S ASS'Y	514	X-83ETW30000	E-RING 3.0
315	X-85OA400196	BASE,INCL T(S) ASS'Y	515	X-810A126504	SCREW/WASHER(A) M2.6x5
316	X-85OA400199	P5-3 ARM ASS'Y(S)			
317	X-85OA400205	PINCH ROLLER BLOCK	CP101	X-069R740018	CONNECTOR PCB SIDE 52044-0445
318	X-85OA400175	TENSION ARM ASS'Y	H5001	X-1523D91034	HEAD (AUDIO CONTROL) HVMXA1072A
319	X-85OA400184	TENSION BAND ASS'Y (S)	H5002	X-1543D02013	HEAD (FULL ERASE) HVFHP0032A
320	X-85OA400178	PINCH ROLLER LEVER ASS'Y	△ M101	X-1596P78001	MOTOR (LOADING) MXN13FB11H
321	X-85OA600196	BRAKE T ASS'Y(S)	△ M2001	X-1510398032	CAPSTAN DD UNIT F2QSB06
322	X-85OA600191	CAP BRAKE ASS'Y(S)	M2003	X-1589V11007	MICRO MOTOR EP14BD
323	X-85OA900213	LINK ASS'Y	PCB550	X-A4C831B550	DECK PCB ASS'Y VE8851
324	X-85OA900216	LINK LEVER ASS'Y	Q101	X-0000700320	TRANSISTOR,PHOTO RPT-38PB113
325	X-85OP200284	LEVER,CLUTCH (S)	△ UN4001	X-A57201B500	CYLINDER UNIT ASSY A57201B500
326	X-85OP200285	ACTUATOR,CLUTCH			
327	X-85OP200298	GEAR,COUPLING(S2)			
328	X-85OP200291	REEL,S (S)			
329	X-85OP600541	WORM			
330	X-85OP600563	BRACKET,MOTOR			
331	X-85OP300178	GEAR,MAIN LOADING			
332	X-85OP300179	GEAR,LOADING S			
333	X-85OP300180	GEAR,LOADING T			
334	X-85OP300187	HOLDER,LOADING GEAR (S-Z)			
335	X-85OP400472	ADJUST,TENSION			
336	X-85OP400492	HOLDER,TENSION			
337	X-85OP400490	LEVER,TENSION			
338	X-85OP400475	COVER,P4			
339	X-85OP600543	GEAR,JOINT			
340	X-85OP600544	GEAR,MIDDLE			
341	X-85OP600554	CAM,MAIN (S)			
342	X-85OP600546	CAM,P5			
343	X-85OP600565	CAM,PINCH ROLLER			
344	X-85OP600561	ROD,MAIN(S)			
345	X-85OP700035	REFLECTOR,LED			
346	X-85OP800318	SPRING,LOADING GEAR			
347	X-85OP800334	SPRING,P5 (S)			
348	X-85OP800335	SPRING,BRAKE T (S)			
349	X-85OP800322	SPRING,TENSION			
350	X-85OP800336	SPRING,CAP BRAKE (S)			
351	X-85OP800342	SPRING,LOCKER (S)			
352	X-85OP800326	SPRING,LINK			
353	X-85OP800328	SPRING,DAMPER			
354	X-85OP800330	SPRING,RING			
355	X-85OP800337	SPRING,SS BRAKE (S)			
356	X-85OP900680	OPENER,CASS			
357	X-85OP900731	CASS SIDE L			
358	X-85OP900732	CASS SIDE R			
359	X-85OP900728	TAPE GUIDE L(P,R)			
360	X-85OP900729	TAPE GUIDE R			
361	X-85OP900714	COVER,SENSOR L3			
362	X-85OP900688	LEVER,FLAP			
363	X-85OP900690	CASS HOLDER			
364	X-85OP600540	DRIVER,WORM			
365	X-85OP900713	LOCKER,R2			
366	X-85OP900694	SPRING,PACK			
367	X-85OP900695	BRACKET, TOP			
368	X-85OP900696	SPRING,CASS EARTH			
369	X-85OP800341	SPRING,P/R ARM			

CHASSIS EXPLODED VIEW (BOTTOM VIEW)



CLASS	PART NO.	MARK
GREASE	G-555G	AA
	G-488M	AB
	FL-721	AC
	MG-33	AD
OIL	FL OIL No. 6115	BA

NOTE: Applying positions AA, AB, AC, AD and BA for the grease or oil are displayed for this section. Check if the correct grease or oil is applied for each position.

ELECTRICAL REPLACEMENT PARTS LIST

REF. NO.	PART NO.	DESCRIPTION	REF. NO.	PART NO.	DESCRIPTION
		RESISTORS			RESISTORS
R302	X-R801R7332J	RC 3.3K OHM 1/10W	R509	X-R002T4103J	RC 10K OHM 1/4W
R303	X-R801R7272J	RC 2.7K OHM 1/10W	R511	X-R002T4102J	RC 1K OHM 1/4W
R304	X-R801R7472J	RC 4.7K OHM 1/10W	△ R512	X-R3X28A103J	R,METAL OXIDE 10K OHM 2W
R305	X-R801R7472J	RC 4.7K OHM 1/10W	R513	X-R002T4471J	RC 470 OHM 1/4W
R306	X-R801R7182J	RC 1.8K OHM 1/10W	R514	X-R002T4681J	RC 680 OHM 1/4W
R307	X-R801R7182J	RC 1.8K OHM 1/10W	R515	X-R002T4103J	RC 10K OHM 1/4W
R308	X-R801R7332J	RC 3.3K OHM 1/10W	R516	X-R002T4391J	RC 390 OHM 1/4W
R309	X-R002T4221J	RC 220 OHM 1/4W	R518	X-R002T4103J	RC 10K OHM 1/4W
R310	X-R002T4221J	RC 220 OHM 1/4W	R519	X-R002T4103J	RC 10K OHM 1/4W
R311	X-R801R7104J	RC 100K OHM 1/10W	R520	X-R002T4103J	RC 10K OHM 1/4W
R313	X-R801R7391J	RC 390 OHM 1/10W	R521	X-R002T4103J	RC 10K OHM 1/4W
R316	X-R801R7272J	RC 2.7K OHM 1/10W	R523	X-R002T4103J	RC 10K OHM 1/4W
R317	X-R801R7101J	RC 100 OHM 1/10W	R524	X-R002T4101J	RC 100 OHM 1/4W
R318	X-R801R7101J	RC 100 OHM 1/10W	△ R528	X-R3X28B223J	R,METAL 22K OHM 3W
R350	X-R002T4104J	RC 100K OHM 1/4W	△ R529	X-R4X5T4272F	R,METAL 2.7K OHM 1/4W
			R532	X-R002T4123J	RC 12K OHM 1/4W
R352	X-R002T2221J	RC 220 OHM 1/2W	R533	X-R002T4622J	RC 6.2K OHM 1/4W
R353	X-R903N8683J	RC 68K OHM 1/8W	△ R542	X-R33681R13J	R,METAL 0.13OHM 1W
R359	X-R903N8473J	RC 47K OHM 1/8W	△ R543	X-R63584681J	R,FUSE 680 OHM 1/4W
R401	X-R002T4223J	RC 22K OHM 1/4W	R552	X-R002T4103J	RC 10K OHM 1/4W
△ R402	X-R3X18AR47J	R,METAL OXIDE 0.47 OHM 2W	R553	X-R002T2393J	RC 39K OHM 1/2W
R409	X-R002T4473J	RC 47K OHM 1/4W	R554	X-R002T2223J	RC 22K OHM 1/2W
R410	X-R002T4562J	RC 5.6K OHM 1/4W	R601	X-R903N8222J	RC 2.2K OHM 1/8W
R411	X-R4X5T6123F	R,METAL 12K OHM 1/6W	R602	X-R002T4221J	RC 220 OHM 1/4W
R412	X-R002T4471J	RC 470 OHM 1/4W	R603	X-R002T4221J	RC 220 OHM 1/4W
R413	X-R4X5T6273F	R,METAL 27K OHM 1/6W	R605	X-R903N8223J	RC 22K OHM 1/8W
△ R415	X-R002T21R8J	RC 1.8 OHM 1/2W	R607	X-R002T2221J	RC 220 OHM 1/2W
R416	X-R4X5T6472F	R,METAL 4.7K OHM 1/6W	R608	X-R903N8103J	RC 10K OHM 1/8W
R417	X-R002T2391J	RC 390 OHM 1/2W	R609	X-R903N8331J	RC 330 OHM 1/8W
△ R418	X-R002T22R2J	RC 2.2 OHM 1/2W	R610	X-R002T4101J	RC 100 OHM 1/4W
R419	X-R002T2391J	RC 390 OHM 1/2W	R611	X-R903N8103J	RC 10K OHM 1/8W
R421	X-R002T2102J	RC 1K OHM 1/2W	R614	X-R903N8184J	RC 180K OHM 1/8W
R422	X-R002T4103J	RC 10K OHM 1/4W	R616	X-R903N8221J	RC 220 OHM 1/8W
R423	X-R002T4103J	RC 10K OHM 1/4W	R618	X-R801R7106J	RC 10M OHM 1/10W
R424	X-R002T4103J	RC 10K OHM 1/4W	R620	X-R801R7123J	RC 12K OHM 1/10W
R428	X-R002T4223J	RC 22K OHM 1/4W	R621	X-R903N8102J	RC 1K OHM 1/8W
R429	X-R002T4272J	RC 2.7K OHM 1/4W	R622	X-R903N8471J	RC 470 OHM 1/8W
R431	X-R002T4332J	RC 3.3K OHM 1/4W	R624	X-R903N8202J	RC 2K OHM 1/8W
R432	X-R002T2222J	RC 2.2K OHM 1/2W	R625	X-R903N8103J	RC 10K OHM 1/8W
R433	X-R002T4272J	RC 2.7K OHM 1/4W	R626	X-R903N8103J	RC 10K OHM 1/8W
R434	X-R002T2152J	RC 1.5K OHM 1/2W	R627	X-R002T4103J	RC 10K OHM 1/4W
R435	X-R002T2821J	RC 820 OHM 1/2W	R628	X-R903N8682J	RC 6.8K OHM 1/8W
△ R436	X-R65582120J	R,FUSE 12 OHM 1/2W	R629	X-R903N8222J	RC 2.2K OHM 1/8W
△ R437	X-R3X181010J	R,METAL OXIDE 1 OHM 1W	R630	X-R903N8101J	RC 100 OHM 1/8W
R438	X-R002T4822J	RC 8.2K OHM 1/4W	R631	X-R903N8682J	RC 6.8K OHM 1/8W
△ R439	X-R4X5T4223F	R,METAL 22K OHM 1/4W	R632	X-R903N8680J	RC 68 OHM 1/8W
△ R441	X-R4X5T4104F	R,METAL 100K OHM 1/4W	R633	X-R903N8822J	RC 8.2K OHM 1/8W
△ R442	X-R4X5T4472F	R,METAL 4.7K OHM 1/4W	R634	X-R903N8101J	RC 100 OHM 1/8W
△ R443	X-R4X5T4332F	R,METAL 3.3K OHM 1/4W	R635	X-R903N8101J	RC 100 OHM 1/8W
△ R444	X-R4X5T4123F	R,METAL 12K OHM 1/4W	R636	X-R903N8101J	RC 100 OHM 1/8W
R445	X-R002T4473J	RC 47K OHM 1/4W	R638	X-R903N8682J	RC 6.8K OHM 1/8W
R446	X-R002T4223J	RC 22K OHM 1/4W	R641	X-R903N8273J	RC 27K OHM 1/8W
△ R447	X-R65582680J	R,FUSE 68 OHM 1/2W	R642	X-R903N8682J	RC 6.8K OHM 1/8W
△ R448	X-R3K181102J	R,METAL 1K OHM 1W	R643	X-R903N8473J	RC 47K OHM 1/8W
△ R449	X-R5W2CE272J	R,CEMENT 2.7K OHM 7W	R644	X-R002T4101J	RC 100 OHM 1/4W
△ R450	X-R3X181R68J	R,METAL OXIDE 0.68 OHM 1W	R646	X-R903N8153J	RC 15K OHM 1/8W
R451	X-R002T4224J	RC 220K OHM 1/4W	R647	X-R903N8222J	RC 2.2K OHM 1/8W
△ R452	X-R3X1812R2J	R,METAL OXIDE 2.2 OHM 1W	R648	X-R903N8222J	RC 2.2K OHM 1/8W
R453	X-R002T4683J	RC 68K OHM 1/4W	R649	X-R903N8222J	RC 2.2K OHM 1/8W
R454	X-R002T4472J	RC 4.7K OHM 1/4W	R652	X-R903N8472J	RC 4.7K OHM 1/8W
R456	X-R002T2472J	RC 4.7K OHM 1/2W	R655	X-R903N8101J	RC 100 OHM 1/8W
R457	X-R002T4911J	RC 910 OHM 1/4W	R656	X-R903N8222J	RC 2.2K OHM 1/8W
R458	X-R002T4333J	RC 33K OHM 1/4W	R657	X-R903N8102J	RC 1K OHM 1/8W
R459	X-R002T4273J	RC 27K OHM 1/4W	R658	X-R903N8222J	RC 2.2K OHM 1/8W
R460	X-R002T4101J	RC 100 OHM 1/4W	R659	X-R903N8222J	RC 2.2K OHM 1/8W
R461	X-R001T4562J	RC 5.6K OHM 1/4W	R660	X-R903N8222J	RC 2.2K OHM 1/8W
R469	X-R4X5T6682F	R,METAL 6.8K OHM 1/6W	R662	X-R903N8101J	RC 100 OHM 1/8W
R490	X-R002T4223J	RC 22K OHM 1/4W	R663	X-R903N8101J	RC 100 OHM 1/8W
△ R500	X-R21202275K	R,SOLID 2.7M OHM 1/2W	R665	X-R903N8561J	RC 560 OHM 1/8W
△ R501	X-R5W2CE2R2J	R,CEMENT 2.2 OHM 7W	R667	X-R903N8102J	RC 1K OHM 1/8W
R502	X-R002T2100J	RC 10 OHM 1/2W	R668	X-R002T4101J	RC 100 OHM 1/4W
△ R503	X-R002T4332J	RC 3.3K OHM 1/4W	R669	X-R002T4821J	RC 820 OHM 1/4W
R504	X-R002T2124J	RC 120K OHM 1/2W	R670	X-R801R7101J	RC 100 OHM 1/10W
R505	X-R801R7101J	RC 100 OHM 1/10W	R671	X-R801R7221J	RC 220 OHM 1/10W
R506	X-R002T4222J	RC 2.2K OHM 1/4W	R672	X-R903N8471J	RC 470 OHM 1/8W
R507	X-R002T4102J	RC 1K OHM 1/4W	R673	X-R801R7154J	RC 150K OHM 1/10W
R508	X-R002T4105J	RC 1M OHM 1/4W	R674	X-R002T2470J	RC 47 OHM 1/2W

ELECTRICAL REPLACEMENT PARTS LIST

REF. NO.	PART NO.	DESCRIPTION	REF. NO.	PART NO.	DESCRIPTION
RESISTORS			RESISTORS		
R677	X-R801R7335J	RC 3.3M OHM 1/10W	R1034	R903N8564J	RC 560K OHM 1/8W
R680	X-R801R7562J	RC 5.6K OHM 1/10W	R1035	R801R7330J	RC 33 OHM 1/10W
R681	X-R801R7102J	RC 1K OHM 1/10W	R1036	R801R7472J	RC 4.7K OHM 1/10W
R683	X-R801R7222J	RC 2.2K OHM 1/10W	R1038	R903N8100J	RC 10 OHM 1/8W
R684	X-R002T4222J	RC 2.2K OHM 1/4W	R1039	R002T4183J	RC 18K OHM 1/4W
R685	X-R002T4222J	RC 2.2K OHM 1/4W	R1040	R002T4333J	RC 33K OHM 1/4W
R702	X-R002T4750J	RC 75 OHM 1/4W	R1042	R002T4102J	RC 1K OHM 1/4W
R704	X-R002T4271J	RC 270 OHM 1/4W	R1044	R903N8332J	RC 3.3K OHM 1/8W
R754	X-R002T4271J	RC 270 OHM 1/4W	R1045	R903N8332J	RC 3.3K OHM 1/8W
R766	X-R002T2101J	RC 100 OHM 1/2W	R1046	R002T4472J	RC 4.7K OHM 1/4W
R771	X-R002T4102J	RC 1K OHM 1/4W	R1047	R002T4472J	RC 4.7K OHM 1/4W
R772	X-R002T4152J	RC 1.5K OHM 1/4W	R1048	R002T4102J	RC 1K OHM 1/4W
R773	X-R002T4272J	RC 2.7K OHM 1/4W	R1049	R903N8472J	RC 4.7K OHM 1/8W
R774	X-R002T4562J	RC 5.6K OHM 1/4W	R1050	R903N8101J	RC 100 OHM 1/8W
R775	X-R002T4821J	RC 820 OHM 1/4W	R1051	R903N8562J	RC 5.6K OHM 1/8W
R776	X-R002T4102J	RC 1K OHM 1/4W	R1053	R903N8221J	RC 220 OHM 1/8W
R777	X-R002T4152J	RC 1.5K OHM 1/4W	R1055	R903N8221J	RC 220 OHM 1/8W
R778	X-R002T4821J	RC 820 OHM 1/4W	R1056	R903N8221J	RC 220 OHM 1/8W
R793	X-R002T4271J	RC 270 OHM 1/4W	R1058	R001T6272J	RC 2.7K OHM 1/6W
R794	X-R002T4271J	RC 270 OHM 1/4W	R1059	R801R7472J	RC 4.7K OHM 1/10W
△ R804	X-R3X18A123J	R,METAL OXIDE 12K OHM 2W	R1066	R903N8102J	RC 1K OHM 1/8W
R805	X-R002T4560J	RC 56 OHM 1/4W	R1077	R903N8102J	RC 1K OHM 1/8W
△ R806	X-R3X18A123J	R,METAL OXIDE 12K OHM 2W	R1078	R801R7334J	RC 330K OHM 1/10W
R807	X-R002T4560J	RC 56 OHM 1/4W	R1079	R002T4220J	RC 22 OHM 1/4W
△ R808	X-R3X18A123J	R,METAL OXIDE 12K OHM 2W	R1083	R903N8223J	RC 22K OHM 1/8W
R809	X-R002T4560J	RC 56 OHM 1/4W	R1087	R903N8223J	RC 22K OHM 1/8W
R810	X-R002T4182J	RC 1.8K OHM 1/4W	R4001	R903N8821J	RC 820 OHM 1/8W
R811	X-R002T4182J	RC 1.8K OHM 1/4W	R4002	R903N8103J	RC 10K OHM 1/8W
R812	X-R002T4182J	RC 1.8K OHM 1/4W	R4003	R801R7103J	RC 10K OHM 1/10W
R813	X-R002T4221J	RC 220 OHM 1/4W	R4004	R801R7272J	RC 2.7K OHM 1/10W
R814	X-R002T4221J	RC 220 OHM 1/4W	R4005	R903N8152J	RC 1.5K OHM 1/8W
R815	X-R002T4221J	RC 220 OHM 1/4W	R4007	R903N8681J	RC 680 OHM 1/8W
R817	X-R002T4331J	RC 330 OHM 1/4W	R4008	R903N8103J	RC 10K OHM 1/8W
R819	X-R002T4331J	RC 330 OHM 1/4W	R4009	R903N8392J	RC 3.9K OHM 1/8W
R821	X-R002T4331J	RC 330 OHM 1/4W	R4010	R903N8332J	RC 3.3K OHM 1/8W
R828	X-R002T4272J	RC 2.7K OHM 1/4W	R4011	R903N8223J	RC 22K OHM 1/8W
R829	X-R002T4272J	RC 2.7K OHM 1/4W	R4012	R903N8183J	RC 18K OHM 1/8W
R830	X-R002T4272J	RC 2.7K OHM 1/4W	R4013	R903N8183J	RC 18K OHM 1/8W
R831	X-R002T2125J	RC 1.2M OHM 1/2W	R4014	R801R7182J	RC 1.8K OHM 1/10W
R902	X-R801R7102J	RC 1K OHM 1/10W	R4015	R002T42R2J	RC 2.2 OHM 1/4W
R904	X-R801R7471J	RC 470 OHM 1/10W	R4019	R903N8823J	RC 82K OHM 1/8W
R905	X-R801R7121J	RC 120 OHM 1/10W	R4020	R903N8103J	RC 10K OHM 1/8W
R906	X-R801R7102J	RC 1K OHM 1/10W	R4021	R801R7272J	RC 2.7K OHM 1/10W
R907	X-R801R7333J	RC 33K OHM 1/10W	R4022	R903N8682J	RC 6.8K OHM 1/8W
R908	X-R801R7821J	RC 820 OHM 1/10W	R4023	R903N8153J	RC 15K OHM 1/8W
R909	X-R801R7101J	RC 100 OHM 1/10W	R4024	R903N8103J	RC 10K OHM 1/8W
R910	X-R801R7102J	RC 1K OHM 1/10W	R4025	R903N8334J	RC 330K OHM 1/8W
R911	X-R801R7332J	RC 3.3K OHM 1/10W	R4026	R903N8333J	RC 33K OHM 1/8W
R912	X-R801R7682J	RC 6.8K OHM 1/10W	R4027	R903N8151J	RC 150 OHM 1/8W
R913	X-R801R7222J	RC 2.2K OHM 1/10W	R4029	R801R7225J	RC 2.2M OHM 1/10W
R914	X-R801R7821J	RC 820 OHM 1/10W	R4032	R801R7273J	RC 27K OHM 1/10W
R915	X-R801R7471J	RC 470 OHM 1/10W	R4033	R903N8102J	RC 1K OHM 1/8W
R1001	X-R903N8332J	RC 3.3K OHM 1/8W	R4034	R903N8821J	RC 820 OHM 1/8W
R1002	X-R002T4121J	RC 120 OHM 1/4W	R4039	R903N8333J	RC 33K OHM 1/8W
R1003	X-R903N8823J	RC 82K OHM 1/8W	R4041	R903N8682J	RC 6.8K OHM 1/8W
R1004	X-R903N8102J	RC 1K OHM 1/8W	R4044	R903N8822J	RC 8.2K OHM 1/8W
R1005	X-R615J12R7J	R,FUSE 2.7 OHM 1W	R4046	R903N8182J	RC 1.8K OHM 1/8W
R1006	X-R903N8473J	RC 47K OHM 1/8W	R4047	R903N8103J	RC 10K OHM 1/8W
R1007	X-R903N8330J	RC 33 OHM 1/8W	R4048	R903N8472J	RC 4.7K OHM 1/8W
R1008	X-R903N8102J	RC 1K OHM 1/8W	R4049	R903N8152J	RC 1.5K OHM 1/8W
R1009	X-R002T4561J	RC 560 OHM 1/4W	R4050	R903N8104J	RC 100K OHM 1/8W
R1010	X-R002T4332J	RC 3.3K OHM 1/4W	R4051	R903N8273J	RC 27K OHM 1/8W
R1011	X-R903N8222J	RC 2.2K OHM 1/8W	R4052	R002T4680J	RC 68 OHM 1/4W
R1012	X-R903N8103J	RC 10K OHM 1/8W	R4053	R801R7152J	RC 1.5K OHM 1/10W
R1013	X-R002T4561J	RC 560 OHM 1/4W	R4054	R801R7272J	RC 2.7K OHM 1/10W
R1016	X-R002T4271J	RC 270 OHM 1/4W	R4055	R903N8103J	RC 10K OHM 1/8W
R1017	X-R903N8333J	RC 33K OHM 1/8W	R4057	R903N8222J	RC 2.2K OHM 1/8W
R1018	X-R903N8472J	RC 4.7K OHM 1/8W	R4058	R002T4105J	RC 1M OHM 1/4W
R1019	X-R903N8473J	RC 47K OHM 1/8W	R4059	R801R7684J	RC 680K OHM 1/10W
R1020	X-R903N8223J	RC 22K OHM 1/8W	R4060	R903N8224J	RC 220K OHM 1/8W
R1021	X-R903N8330J	RC 33 OHM 1/8W	R4061	R002T4105J	RC 1M OHM 1/4W
R1024	X-R002T4102J	RC 1K OHM 1/4W	R4062	R903N8224J	RC 220K OHM 1/8W
R1028	X-R903N8472J	RC 4.7K OHM 1/8W	R4063	R801R7335J	RC 3.3M OHM 1/10W
R1029	X-R903N8472J	RC 4.7K OHM 1/8W	R4064	R903N8101J	RC 100 OHM 1/8W
R1031	X-R903N8102J	RC 1K OHM 1/8W	R4065	R903N8222J	RC 2.2K OHM 1/8W
R1032	R903N8103J	RC 10K OHM 1/8W	R4067	R002T4473J	RC 47K OHM 1/4W
R1033	R903N8122J	RC 1.2K OHM 1/8W			

ELECTRICAL REPLACEMENT PARTS LIST

REF. NO.	PART NO.	DESCRIPTION	REF. NO.	PART NO.	DESCRIPTION
RESISTORS			CAPACITORS		
R4068	X-R002T4473J	RC 47K OHM 1/4W	△ C407	X-E5EZF3102M	CE 1000 UF 25V
R4069	X-R801R7473J	RC 47K OHM 1/10W	C408	X-E02LT5221M	CE 220 UF 50V
R4071	X-R801R7182J	RC 1.8K OHM 1/10W	C411	X-P613T1104J	CMPL 0.1 UF 100V TF
R4072	X-R903N8123J	RC 12K OHM 1/8W	C412	X-C0JTSLS5H1K	CC 22 PF 500V SL
R4074	X-R002T4102J	RC 1K OHM 1/4W	△ C413	X-P3N1F5333J	CPP 0.033 UF 630V
R4075	X-R903N8101J	RC 100 OHM 1/8W	C415	X-P6M9T0334J	CMPL 0.33 UF 50V TF
R4076	X-R903N8101J	RC 100 OHM 1/8W	C416	X-C0JTSLS5H1J	CC 22 PF 500V SL
R4077	X-R801R7101J	RC 100 OHM 1/10W	C417	X-C0JTB05S2K	CC 560 PF 500V B
R4078	X-R801R7101J	RC 100 OHM 1/10W	C418	X-E5EZTD010M	CE 1 UF 250V
R4079	X-R002T4101J	RC 100 OHM 1/4W	C419	X-P6M9T0473J	CMPL 0.047 UF 50V TF
R4080	X-R903N8101J	RC 100 OHM 1/8W	C420	X-E02LT5470M	CE 47 UF 50V
R4081	X-R002T4101J	RC 100 OHM 1/4W	C421	X-E5EZF4102M	CE 1000 UF 35V
R4085	X-R801R7393J	RC 39K OHM 1/10W	C422	X-E5EZTD010M	CE 1 UF 250V
R4203	X-R801R7222J	RC 2.2K OHM 1/10W	C423	X-P447F2474J	CMPP 0.47 UF 200V FHS
R4204	X-R903N8102J	RC 1K OHM 1/8W	C424	X-E02LT1101M	CE 100 UF 10V
R4205	X-R801R7102J	RC 1K OHM 1/10W	C425	X-E02LT5R47M	CE 0.47 UF 50V
R4212	X-R002T4102J	RC 1K OHM 1/4W	C427	X-E53FF56R8K	CE 6.8 UF 50V NP
R4213	X-R903N8750J	RC 75 OHM 1/8W	△ C428	X-P4N8FJ123H	CMPP C 0.012 UF 1.25KV
R4217	X-R801R7102J	RC 1K OHM 1/10W	C429	X-C13VB07Q2K	CC 470 PF 2KV B
R4224	X-R903N8750J	RC 75 OHM 1/8W	C430	X-C01BBP713K	CC 0.001 UF 2KV BP
R4231	X-R002T4222J	RC 2.2K OHM 1/4W	△ C431	X-E0ELTD100M	CE 10 UF 250V
R4232	X-R903N8103J	RC 10K OHM 1/8W	C432	X-P613T1104J	CMPL 0.1 UF 100V TF
R4238	X-R903N8330J	RC 33 OHM 1/8W	△ C433	X-E5EZT8220M	CE 22 UF 100V
R4239	X-R002T2221J	RC 220 OHM 1/2W	C438	X-C0JTB05U2K	CC 680 PF 500V B
R5501	X-R002T4153J	RC 15K OHM 1/4W	C439	X-C0JTB05H2K	CC 220 PF 500V B
R5502	X-R903N8562J	RC 5.6K OHM 1/8W	△ C443	X-P4N8FJ222H	CMPP C 0.0022UF 1.25KV
R5503	X-R801R7106J	RC 10M OHM 1/10W	C450	X-C01BBP713K	CC 0.001 UF 2KV BP
R5504	X-R801R7102J	RC 1K OHM 1/10W	△ C502	X-C13VB07H3K	CC 0.0022UF 2KV B
R5505	X-R903N8682J	RC 6.8K OHM 1/8W	△ C503	X-C13VB07H3K	CC 0.0022UF 2KV B
R5506	X-R903N8333J	RC 33K OHM 1/8W	△ C505	X-P2122B224M	CMP 0.22 UF 250V ECQUL
R5507	X-R002T4333J	RC 33K OHM 1/4W	△ C506	X-P2122B104M	CMP 0.1 UF 250V ECQUL
R5508	X-R903N8682J	RC 6.8K OHM 1/8W	△ C507	X-E51SFC821M	CE 820 UF 200V
R5510	X-R903N8333J	RC 33K OHM 1/8W	C509	X-P6M9W0273J	CMPL 0.027 UF 50V TF
R5511	X-R903N8682J	RC 6.8K OHM 1/8W	△ C510	X-E5EZF5470M	CE 47 UF 50V
R5512	X-R801R7275J	RC 2.7M OHM 1/10W	C512	X-C0JTB0413K	CC 0.001 UF 50V B
R5513	X-R903N8101J	RC 100 OHM 1/8W	C514	X-C010BP7K3K	CC 0.0027UF 2KV BP
R5514	X-R002T4333J	RC 33K OHM 1/4W	C515	X-P1S3T0102J	CP 0.001 UF 50V
R5515	X-R903N8333J	RC 33K OHM 1/8W	C516	X-C0JTB05Q2K	CC 470 PF 500V B
R5516	X-R903N8682J	RC 6.8K OHM 1/8W	C517	X-C0JLYR7E3K	CC 0.0015UF 2KV YR
R5517	X-R903N8102J	RC 1K OHM 1/8W	C518	X-C0JTB05Q2K	CC 470 PF 500V B
R5519	X-R903N8152J	RC 1.5K OHM 1/8W	C519	X-C0JTB05Q2K	CC 470 PF 500V B
R5520	X-R801R7221J	RC 220 OHM 1/10W	△ C520	X-E5EZF2102M	CE 1000 UF 16V
R5521	X-R801R7221J	RC 220 OHM 1/10W	△ C521	X-E62D0C221M	CE 220 UF 200V
R5525	X-R002T4222J	RC 2.2K OHM 1/4W	C522	X-C01BBP712K	CC 100 PF 2KV BP
R5526	X-R002T4222J	RC 2.2K OHM 1/4W	△ C523	X-E5EZF4471M	CE 470 UF 35V
R6001	X-R801R7102J	RC 1K OHM 1/10W	△ C524	X-E5EZF3102M	CE 1000 UF 25V
CAPACITORS			C527	X-C0JTB05Q2K	CC 470 PF 500V B
C301	X-E50HU5100M	CE 10 UF 50V	C528	X-C0JTF04H4Z	CC 0.022 UF 50V F
C302	X-CS0RB04L4K	CC 0.033 UF 50V B	△ C529	X-C034E0J13M	CC 0.001 UF 125V MX
C303	X-CS0RB04L4K	CC 0.033 UF 50V B	△ C530	X-C034E0JH3M	CC 0.0022UF 125V MX
C304	X-CS0RB04H4K	CC 0.022 UF 50V B	△ C531	X-E5EZF3102M	CE 1000 UF 25V
C305	X-CS0RB04H4K	CC 0.022 UF 50V B	△ C534	X-E02YFB101M	CE 100 UF 160V
C306	X-CS0RB02Q5K	CC 0.47 UF 16V B	△ C537	X-E02LT5R47M	CE 0.47 UF 50V
C307	X-CS0RB02Q5K	CC 0.47 UF 16V B	C549	X-P1S3T0333J	CP 0.033 UF 50V
C308	X-CS0RB0413K	CC 0.001 UF 50V B	C554	X-C0JTB04H3K	CC 0.0022UF 50V B
C309	X-E02LT2470M	CE 47 UF 16V	C601	X-E50HU5010M	CE 1 UF 50V
C310	X-CS0RB04H4K	CC 0.022 UF 50V B	C602	X-CS0RF0415Z	CC 0.1 UF 50V F
C311	X-E50HU52R2M	CE 2.2 UF 50V	C607	X-CS0RB0315K	CC 0.1 UF 25V B
C312	X-E50HU52R2M	CE 2.2 UF 50V	C609	X-CS0RB0315K	CC 0.1 UF 25V B
C314	X-E50HU52R2M	CE 2.2 UF 50V	C610	X-E50HU52R2M	CE 2.2 UF 50V
C315	X-E02LT2470M	CE 47 UF 16V	C612	X-E02LT0221M	CE 220 UF 6.3V
C316	X-CS0RB0315K	CC 0.1 UF 25V B	C613	X-CS0RB0315K	CC 0.1 UF 25V B
C317	X-P232W0104J	CMPL 0.1 UF 50V MMTS	C614	X-CS0RB0414K	CC 0.01 UF 50V B
C318	X-CS0RCH412J	CC 100 PF 50V CH	C615	X-CS0RCH413J	CC 0.001 UF 50V CH
C319	X-CS0RCH412J	CC 100 PF 50V CH	C616	X-CS0RB0414K	CC 0.01 UF 50V B
C350	X-E50HU50R1M	CE 0.1 UF 50V	C618	X-CS0RCH4L2J	CC 330 PF 50V CH
C351	X-E50HU5010M	CE 1 UF 50V	C620	X-E50HU0470M	CE 47 UF 6.3V
C352	X-E50HU2470M	CE 47 UF 16V	C621	X-CS0RB0414K	CC 0.01 UF 50V B
C352	X-E50HU2330M	CE 33 UF 16V	C622	X-CS0RB03H5K	CC 0.22 UF 25V B
C353	X-E50HU2470M	CE 47 UF 16V	C623	X-CS0RCH4U1J	CC 68 PF 50V CH
C354	X-E02LF3102M	CE 1000 UF 25V	C624	X-E50HU2470M	CE 47 UF 16V
C355	X-E00NU52R2M	CE 2.2 UF 50V	C625	X-CS0RF0216Z	CC 1 UF 16V F
C401	X-E5EZF8100M	CE 10 UF 100V	C626	X-CS0RB0315K	CC 0.1 UF 25V B
C402	X-C0JTB0413K	CC 0.001 UF 50V B	C627	X-CS0RB0216K	CC 1 UF 16V B
C403	X-E02LT5100M	CE 10 UF 50V	C629	X-CS0RCH4H1J	CC 22 PF 50V CH
C405	X-E02LT5100M	CE 10 UF 50V	C630	X-CS0RB04H4K	CC 0.022 UF 50V B
C406	X-E5EZF4101M	CE 100 UF 35V	C632	X-E50HU52R2M	CE 2.2 UF 50V

ELECTRICAL REPLACEMENT PARTS LIST

REF. NO.	PART NO.	DESCRIPTION	REF. NO.	PART NO.	DESCRIPTION
CAPACITORS			CAPACITORS		
C634	X-CS0RB0414K	CC 0.01 UF 50V B	C1020	X-E50HU2100M	CE 10 UF 16V
C635	X-E50HU2470M	CE 47 UF 16V	C1021	X-E50HU2330M	CE 33 UF 16 V
C636	X-CS0RB0414K	CC 0.01 UF 50V B	C1022	X-CS0RB0315K	CC 0.1 UF 25V B
C637	X-CS0RB0414K	CC 0.01 UF 50V B	C1023	X-CS0RCH4L2J	CC 330 PF 50V CH
C639	X-CS0RB0414K	CC 0.01 UF 50V B	C1025	X-CS0RB0315K	CC 0.1 UF 25V B
C640	X-CS0RB0315K	CC 0.1 UF 25V B	C1026	X-CS0RB0315K	CC 0.1 UF 25V B
C641	X-E02LT3221M	CE 220 UF 25V	C1027	X-CS0RB04N3K	CC 0.0039UF 50V B
C642	X-E50HU2220M	CE 22 UF 16 V	C1028	X-CS0RB0315K	CC 0.1 UF 25V B
C643	X-E50HU2220M	CE 22 UF 16 V	C1029	X-CS0RB0414K	CC 0.01 UF 50V B
C644	X-CS0RB04H4K	CC 0.022 UF 50V B	C1030	X-CS0RB0315K	CC 0.1 UF 25V B
C645	X-E50HU5010M	CE 1 UF 50V	C1031	X-CS0RB0413K	CC 0.001 UF 50V B
C647	X-CS0RB0414K	CC 0.01 UF 50V B	C1032	X-E50HU0221M	CE 220 UF 6.3V
C648	X-P1S3T0104J	CP 0.1 UF 50V	C1033	X-CS0RCH4U1J	CC 68 PF 50V CH
C649	X-E50HU5010M	CE 1 UF 50V	C1034	X-CS0RF0415Z	CC 0.1 UF 50V F
C650	X-CS0RB04E4K	CC 0.015 UF 50V B	C1035	X-CS0RCH422J	CC 200 PF 50V CH
C652	X-E5E2T5010M	CE 1 UF 50V	C1038	X-CS0RCH4W2J	CC 820 PF 50V CH
C653	X-CS0RB0414K	CC 0.01 UF 50V B	C1039	X-CS0RCH4U1J	CC 68 PF 50V CH
C654	X-CS0KCH4G1J	CC 18 PF 50V CH	C1040	X-CS0KCH4G1J	CC 18 PF 50V CH
C655	X-E50HU2470M	CE 47 UF 16V	C1041	X-CS0RB0315K	CC 0.1 UF 25V B
C656	X-CS0RB0216K	CC 1 UF 16V B	C1046	X-CS0KCH4G1J	CC 18 PF 50V CH
C658	X-CS0RB03H5K	CC 0.22 UF 25V B	C1047	X-CS0KCH4G1J	CC 18 PF 50V CH
C659	X-E50HU2470M	CE 47 UF 16V	C1048	X-CS0KCH4G1J	CC 18 PF 50V CH
C660	X-CS0RB0315K	CC 0.1 UF 25V B	C1049	X-CS0KCH4H1J	CC 22 PF 50V CH
C661	X-CS0RB0414K	CC 0.01 UF 50V B	C1050	X-CS0KCH421J	CC 20 PF 50V CH
C663	X-CS0RCH4N2J	CC 390 PF 50V CH	C1052	X-CS0RB0315K	CC 0.1 UF 25V B
C664	X-P232W0105J	CMPL 1 UF 50V MMTS	C1053	X-E02LT0221M	CE 220 UF 6.3V
C665	X-E02NT2100M	CE 10 UF 16V	C1054	X-CS0RF0415Z	CC 0.1 UF 50V F
C668	X-E50HU5220M	CE 22 UF 50 V	C1055	X-CS0RCH412J	CC 100 PF 50V CH
C669	X-CS0RB0315K	CC 0.1 UF 25V B	C1056	X-E50HU5010M	CE 1 UF 50V
C671	X-CS0RCH4H2J	CC 220 PF 50V CH	C1058	X-E02LT0102M	CE 1000 UF 6.3V
C674	X-CQGTB0415K	CC 0.1 UF 50V B	C1060	X-CS0RCH4E2J	CC 150 PF 50V CH
C675	X-CS0RB0315K	CC 0.1 UF 25V B	C1061	X-CS0RCH4E2J	CC 150 PF 50V CH
C676	X-CS0RCH4W1J	CC 82 PF 50V CH	C1062	X-CS0RB0216K	CC 1 UF 16V B
C680	X-E02LT0471M	CE 470 UF 6.3V	C1063	X-CS0RF0415Z	CC 0.1 UF 50V F
C687	X-CHGTB04E2K	CC 150 PF 50V B	C1065	X-CS0RF0415Z	CC 0.1 UF 50V F
C732	X-CS0RCH4K2J	CC 270 PF 50V CH	C1066	X-CS0RB0315K	CC 0.1 UF 25V B
C751	X-CHGTB0412K	CC 100 PF 50V B	C1068	X-CS0RB0315K	CC 0.1 UF 25V B
C755	X-E50HU0221M	CE 220 UF 6.3V	C1071	X-CS0RCH412J	CC 100 PF 50V CH
C779	X-CHGTB0413K	CC 0.001 UF 50V B	C1074	X-CS0RB0315K	CC 0.1 UF 25V B
C781	X-CHGTB0413K	CC 0.001 UF 50V B	C1076	X-CS0RB0315K	CC 0.1 UF 25V B
C804	X-CHGTB04S2K	CC 560 PF 50V B	C4002	X-CS0RB0414K	CC 0.01 UF 50V B
C805	X-CHGTB04N2K	CC 390 PF 50V B	C4003	X-CS0RB0315K	CC 0.1 UF 25V B
C806	X-CHGTB04U2K	CC 680 PF 50V B	C4004	X-E50HU2101M	CE 100 UF 16V
C808	X-C01BBP713K	CC 0.001 UF 2KV BP	C4005	X-CS0RB0414K	CC 0.01 UF 50V B
C814	X-E02LTD010M	CE 1 UF 250V	C4006	X-CS0RB04E4K	CC 0.015 UF 50V B
C901	X-CS0RB0414K	CC 0.01 UF 50V B	C4007	X-E50HU5010M	CE 1 UF 50V
C902	X-CS0RB0414K	CC 0.01 UF 50V B	C4008	X-E50HU0101M	CE 100 UF 6.3V
C903	X-E50HU5R47M	CE 0.47 UF 50V	C4009	X-CS0RF0415Z	CC 0.1 UF 50V F
C905	X-CS0RB0414K	CC 0.01 UF 50V B	C4010	X-E50HU0470M	CE 47 UF 6.3V
C906	X-CS0RB0414K	CC 0.01 UF 50V B	C4011	X-E50HU5010M	CE 1 UF 50V
C907	X-E02LT0331M	CE 330 UF 6.3V	C4014	X-CS0RB04S4K	CC 0.056 UF 50V B
C908	X-CS0RCH412J	CC 100 PF 50V CH	C4015	X-P613T1223J	CMPL 0.022 UF 100V TF
C909	X-CS0RCH4G2J	CC 180 PF 50V CH	C4016	X-E50HU34R7M	CE 4.7 UF 25V
C910	X-CS0RB0414K	CC 0.01 UF 50V B	C4017	X-E50HU5010M	CE 1 UF 50V
C911	X-CS0RB0414K	CC 0.01 UF 50V B	C4018	X-CS0RB04B3K	CC 0.0012UF 50V B
C912	X-CS0RB0414K	CC 0.01 UF 50V B	C4020	X-CS0RB0414K	CC 0.01 UF 50V B
C913	X-CS0RB0414K	CC 0.01 UF 50V B	C4021	X-E50HU0330M	CE 33 UF 6.3V
C916	X-E50HU2470M	CE 47 UF 16V	C4022	X-E50HU2220M	CE 22 UF 16 V
C917	X-CS0RB0414K	CC 0.01 UF 50V B	C4023	X-E50HU0220M	CE 22 UF 6.3V
C919	X-CS0RCH4S1J	CC 56 PF 50V CH	C4024	X-E50HU34R7M	CE 4.7 UF 25V
C921	X-CS0RCH411D	CC 10 PF 50V CH	C4025	X-CS0RB04H3K	CC 0.0022UF 50V B
C923	X-CS0RCH4H2J	CC 220 PF 50V CH	C4026	X-E50HU0101M	CE 100 UF 6.3V
C925	X-CS0RB0315K	CC 0.1 UF 25V B	C4027	X-CS0RCH4W2J	CC 820 PF 50V CH
C926	X-CS0RCH4E1J	CC 15 PF 50V CH	C4028	X-CS0RB0315K	CC 0.1 UF 25V B
C1001	X-E02LT3101M	CE 100 UF 25V	C4029	X-CS0RF04Q4Z	CC 0.047 UF 50V F
C1002	X-CS0RB0413K	CC 0.001 UF 50V B	C4030	X-E50HU2100M	CE 10 UF 16V
C1003	X-E02LT0102M	CE 1000 UF 6.3V	C4031	X-E50HU52R2M	CE 2.2 UF 50V
C1005	X-CS0RB0413K	CC 0.001 UF 50V B	C4032	X-CS0RB04H4K	CC 0.022 UF 50V B
C1009	X-CS0RCH4L2J	CC 330 PF 50V CH	C4033	X-E50HU52R2M	CE 2.2 UF 50V
C1010	X-CS0RCH4L2J	CC 330 PF 50V CH	C4034	X-E50HU5010M	CE 1 UF 50V
C1013	X-CS0RB04N3K	CC 0.0039UF 50V B	C4035	X-E50HU0101M	CE 100 UF 6.3V
C1014	X-CS0RF0415Z	CC 0.1 UF 50V F	C4036	X-CS0RB04H4K	CC 0.022 UF 50V B
C1015	X-E50HU1470M	CE 47 UF 10 V	C4037	X-E50HU5010M	CE 1 UF 50V
C1016	X-E50HU2220M	CE 22 UF 16 V	C4038	X-CS0RF0415Z	CC 0.1 UF 50V F
C1017	X-CS0RB0315K	CC 0.1 UF 25V B	C4039	X-E50HU5010M	CE 1 UF 50V
C1018	X-E50HU54R7M	CE 4.7 UF 50V	C4041	X-CS0RCH4N2J	CC 390 PF 50V CH
C1019	X-CS0RCH413J	CC 0.001 UF 50V CH	C4043	X-E50HU5010M	CE 1 UF 50V

ELECTRICAL REPLACEMENT PARTS LIST

REF. NO.	PART NO.	DESCRIPTION	REF. NO.	PART NO.	DESCRIPTION
CAPACITORS			CAPACITORS		
C4044	X-CS0RF0415Z	CC 0.1 UF 50V F	C5537	X-E50HU5010M	CE 1 UF 50V
C4047	X-CS0KCH4H1J	CC 22 PF 50V CH	C5538	X-E50HU2100M	CE 10 UF 16V
C4048	X-CS0RB0414K	CC 0.01 UF 50V B	C5539	X-E50HU0330M	CE 33 UF 6.3V
C4049	X-CS0RCH4G2J	CC 180 PF 50V CH	C5540	X-CS0RB04E4K	CC 0.015 UF 50V B
C4050	X-CS0RF0414Z	CC 0.01 UF 50V F	C5541	X-CS0RB03H5K	CC 0.22 UF 25V B
C4052	X-CS0RB0414K	CC 0.01 UF 50V B	C5542	X-CS0RB0315K	CC 0.1 UF 25V B
C4053	X-CS0RB0414K	CC 0.01 UF 50V B	C5543	X-CS0RB0414K	CC 0.01 UF 50V B
C4057	X-E50HU2330M	CE 33 UF 16 V	C5544	X-CS0RB0414K	CC 0.01 UF 50V B
C4058	X-E50HU0220M	CE 22 UF 6.3V	C5545	X-CS0RB0315K	CC 0.1 UF 25V B
C4059	X-E50HU34R7M	CE 4.7 UF 25V	C5546	X-CS0RB04E4K	CC 0.015 UF 50V B
C4060	X-E50HU5010M	CE 1 UF 50V	C5547	X-E50HU2100M	CE 10 UF 16V
C4061	X-E50HU5010M	CE 1 UF 50V	C5548	X-E50HU2100M	CE 10 UF 16V
C4062	X-E50HU5010M	CE 1 UF 50V	C5549	X-CS0RB0315K	CC 0.1 UF 25V B
C4065	X-CS0RF0216Z	CC 1 UF 16V F	C5550	X-E50HU0470M	CE 47 UF 6.3V
C4066	X-CS0RF0216Z	CC 1 UF 16V F	C5551	X-CS0RB0414K	CC 0.01 UF 50V B
C4068	X-CS0RB04G3K	CC 0.0018UF 50V B	C5552	X-E50HU2100M	CE 10 UF 16V
C4069	X-CS0RB0413K	CC 0.001 UF 50V B	C5553	X-CS0RCH4Q2J	CC 470 PF 50V CH
C4070	X-E50HU0470M	CE 47 UF 6.3V	C5554	X-CS0RCH4Q2J	CC 470 PF 50V CH
C4071	X-E50HU5010M	CE 1 UF 50V	C5556	X-CS0RB04H3K	CC 0.0022UF 50V B
C4072	X-CS0RB0315K	CC 0.1 UF 25V B	C5557	X-CS0RB04E3K	CC 0.0015UF 50V B
C4073	X-CS0RF0216Z	CC 1 UF 16V F	C5558	X-CS0RB04E3K	CC 0.0015UF 50V B
C4074	X-CS0RCH4Q2J	CC 470 PF 50V CH	C5559	X-CS0RB04W2K	CC 820 PF 50V B
C4075	X-E50HU2100M	CE 10 UF 16V	C5560	X-CS0RCH412J	CC 100 PF 50V CH
C4077	X-CS0RCH4K1J	CC 27 PF 50V CH	C5561	X-CS0RCH412J	CC 100 PF 50V CH
C4080	X-E5EZT5220M	CE 22 UF 50V	DIODES		
C4083	X-CS0RB0315K	CC 0.1 UF 25V B	D301	X-D97U01301B	DIODE,ZENER MTZJ13B T-77
C4084	X-CS0RB0315K	CC 0.1 UF 25V B	D302	X-D97U01301B	DIODE,ZENER MTZJ13B T-77
C4086	X-CS0RB0315K	CC 0.1 UF 25V B	D401	X-D2WT011E10	DIODE,SILICON 11E1-EIC
C4088	X-CS0RB0315K	CC 0.1 UF 25V B	D403	X-D97U03001B	DIODE,ZENER MTZJ30B T-77
C4089	X-CHGTF0415Z	CC 0.1 UF 50V F	D404	X-D97U03001B	DIODE,ZENER MTZJ30B T-77
C4094	X-CQGTF0416Z	CC 1 UF 50V F	D406	X-D2LTPG06J0	DIODE,SILICON RMPG06J-G3
C4201	X-CHGTF0415Z	CC 0.1 UF 50V F	△ D407	X-DCBFMV3FU0	DIODE FMV-3FULF027-102
C4204	X-CS0RCH4Q2J	CC 470 PF 50V CH	△ D408	X-D94TA27011	DIODE,ZENER HZ27-1L TD
C4205	X-CS0RF0415Z	CC 0.1 UF 50V F	△ D409	X-D94TA11B13	DIODE,ZENER HZ11B3L TD
C4206	X-E50HU2100M	CE 10 UF 16V	D410	X-D97U06R81B	DIODE,ZENER MTZJ6.8B T-77
C4207	X-E50HU34R7M	CE 4.7 UF 25V	△ D411	X-D2LTPG06J0	DIODE,SILICON RMPG06J-G3
C4208	X-CS0RB0216K	CC 1 UF 16V B	△ D412	X-D2LTPG06J0	DIODE,SILICON RMPG06J-G3
C4209	X-CS0RCH4Q2J	CC 470 PF 50V CH	△ D413	X-D2LTPG06J0	DIODE,SILICON RMPG06J-G3
C4210	X-CS0RCH4Q2J	CC 470 PF 50V CH	D414	X-D2LTPG06J0	DIODE,SILICON RMPG06J-G3
C4211	X-E02LT2471M	CE 470 UF 16V	△ D415	X-D2LTPG06J0	DIODE,SILICON RMPG06J-G3
C4212	X-E50HU2100M	CE 10 UF 16V	△ D501	X-D4LZBL06L0	DIODE GBL06L-6177
C4213	X-CS0RCH4Q2J	CC 470 PF 50V CH	△ D503	X-D2BTRU2AM0	DIODE,SILICON RU2AM V1
C4214	X-CS0RCH4Q2J	CC 470 PF 50V CH	△ D505	X-D28F21DQN9	DIODE,SCHOTTKY 21DQ09N-FC4
C4216	X-CS0RB0216K	CC 1 UF 16V B	D506	X-D2LTPG06J0	DIODE,SILICON RMPG06J-G3
C4218	X-CS0RCH4Q1J	CC 47 PF 50V CH	D507	X-D23U1003A3	DIODE,SCHOTTKY SB10-03A3
C4220	X-E02LT2101M	CE 100 UF 16V	△ D508	X-D28T21DQN9	DIODE,SCHOTTKY 21DQ09N-TA2B1
C4232	X-CS0RCH4Q2J	CC 470 PF 50V CH	△ D510	X-D2BTRU2AM0	DIODE,SILICON RU2AM V1
C4245	X-E50HU54R7M	CE 4.7 UF 50V	△ D511	X-D28TELS2N2	DIODE,RECTIFIER 10ELS2N-TA1B2
C5501	X-E50HU0470M	CE 4.7 UF 6.3V	△ D512	X-D28T21DQN9	DIODE,SCHOTTKY 21DQ09N-TA2B1
C5502	X-CS0RB0315K	CC 0.1 UF 25V B	△ D514	X-D28T21DQN9	DIODE,SCHOTTKY 21DQ09N-TA2B1
C5506	X-CS0RB0315K	CC 0.1 UF 25V B	△ D515	X-D97U03301B	DIODE,ZENER MTZJ33B T-77
C5507	X-CS0RB0315K	CC 0.1 UF 25V B	D516	X-D1VT001330	DIODE,SILICON 1SS133T-77
C5508	X-CS0RB0315K	CC 0.1 UF 25V B	D517	X-D1VT001330	DIODE,SILICON 1SS133T-77
C5509	X-E50HU52R2M	CE 2.2 UF 50V	D518	X-D1VT001330	DIODE,SILICON 1SS133T-77
C5510	X-E50HU2470M	CE 47 UF 16V	△ D519	X-D28T21DQN9	DIODE,SCHOTTKY 21DQ09N-TA2B1
C5512	X-E50HU2100M	CE 10 UF 16V	D521	X-D1VT001330	DIODE,SILICON 1SS133T-77
C5513	X-CS0RB0315K	CC 0.1 UF 25V B	D523	X-D1VT001330	DIODE,SILICON 1SS133T-77
C5514	X-CS0RB02L5K	CC 0.33 UF 16V B	D524	X-D1VT001330	DIODE,SILICON 1SS133T-77
C5515	X-CS0RB04H4K	CC 0.022 UF 50V B	D525	X-D1VT001330	DIODE,SILICON 1SS133T-77
C5516	X-E50HU2100M	CE 10 UF 16V	D526	X-D1VT001330	DIODE,SILICON 1SS133T-77
C5518	X-E50HU53R3M	CE 3.3 UF 50V	D528	X-D97U05R61B	DIODE,ZENER MTZJ6.8B T-77
C5519	X-CS0RF0216Z	CC 1 UF 16V F	D529	X-D1VT001330	DIODE,SILICON 1SS133T-77
C5522	X-CS0RCH411J	CC 24 PF 50V CH	D530	X-D1VT001330	DIODE,SILICON 1SS133T-77
C5523	X-E50HU54R7M	CE 4.7 UF 50V	△ D533	X-D28TELS2N2	DIODE,RECTIFIER 10ELS2N-TA1B2
C5524	X-CS0RB0315K	CC 0.1 UF 25V B	△ D534	X-D28F21DQN9	DIODE,SCHOTTKY 21DQ09N-FC4
C5525	X-E50HU2100M	CE 10 UF 16V	D601	X-D1VT001330	DIODE,SILICON 1SS133T-77
C5526	X-E50HU34R7M	CE 4.7 UF 25V	D602	X-D97U08R21C	DIODE,ZENER MTZJ8.2C T-77
C5527	X-E211T2100K	CTANTAL 10 UF 16V	D605	X-D28T11ESN1	DIODE,SILICON 11ES1N-TA1B2
C5528	X-E50HU5010M	CE 1 UF 50V	D607	X-D1VT001330	DIODE,SILICON 1SS133T-77
C5529	X-E50HU5010M	CE 1 UF 50V	D608	X-D97U06R81B	DIODE,ZENER MTZJ6.8B T-77
C5530	X-CS0RB0315K	CC 0.1 UF 25V B	D609	X-D97U06R81B	DIODE,ZENER MTZJ6.8B T-77
C5531	X-E50HU0470M	CE 47 UF 6.3V	D610	X-D23U1003A3	DIODE,SCHOTTKY SB10-03A3
C5532	X-E50HU34R7M	CE 4.7 UF 25V	D611	X-D28TQS04N0	DIODE,SCHOTTKY 11EQS04N-TA1B2
C5533	X-E50HU5010M	CE 1 UF 50V	D612	X-D97U06R81B	DIODE,ZENER MTZJ6.8B T-77
C5534	X-E50HU2330M	CE 33 UF 16 V	D613	X-D97U06R81B	DIODE,ZENER MTZJ6.8B T-77
C5535	X-E50HU5010M	CE 1 UF 50V	D614	X-D97U06R81B	DIODE,ZENER MTZJ6.8B T-77
C5536	X-E50HU2100M	CE 10 UF 16V	D615	X-D97U06R81B	DIODE,ZENER MTZJ6.8B T-77

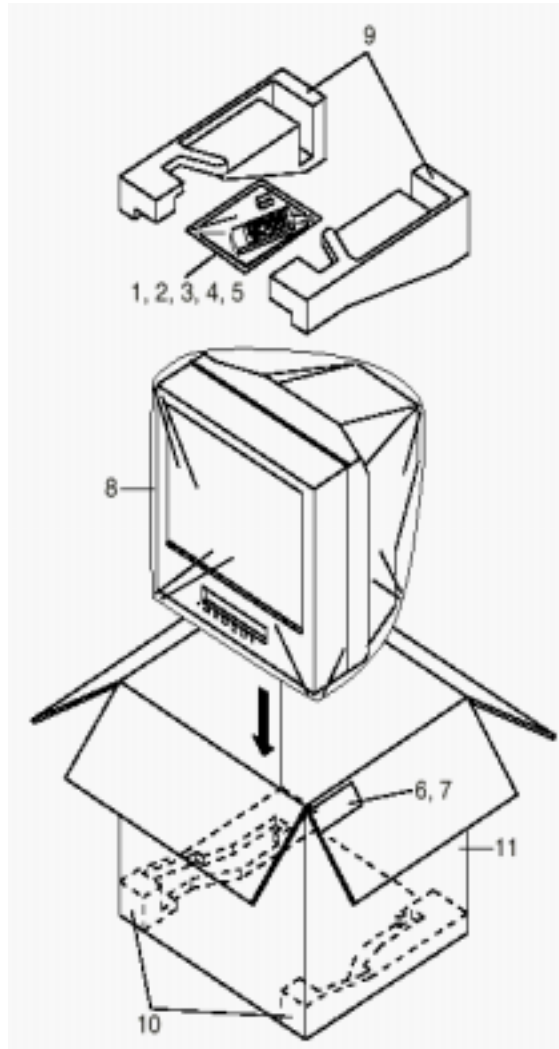
ELECTRICAL REPLACEMENT PARTS LIST

REF. NO.	PART NO.	DESCRIPTION	REF. NO.	PART NO.	DESCRIPTION
DIODES			TRANSISTORS		
D616	X-D1VT001330	DIODE,SILICON 1SS133T-77	△ Q802	X-TC3Q026210	TRANSISTOR,SILICON 2SC2621(D,E)-RAC
D617	X-D1VT001330	DIODE,SILICON 1SS133T-77	△ Q803	X-TC3Q026210	TRANSISTOR,SILICON 2SC2621(D,E)-RAC
D618	X-D1VT001330	DIODE,SILICON 1SS133T-77	△ Q810	X-TC7T1740S0	TRANSISTOR,SILICON 2SC1740SP(R,S) TP
D791	X-002175P230	LED SLR-342MCT32	△ Q811	X-TC7T1740S0	TRANSISTOR,SILICON 2SC1740SP(R,S) TP
D793	X-0021721150	LED SLR-342VCT32	△ Q812	X-TC7T1740S0	TRANSISTOR,SILICON 2SC1740SP(R,S) TP
D794	X-0021721150	LED SLR-342VCT32	Q901	X-T8YJ2412K0	TRANSISTOR,SILICON 2SC2412KT146 R,S
D801	X-D1VT001330	DIODE,SILICON 1SS133T-77	Q902	X-T8YJ2412K0	TRANSISTOR,SILICON 2SC2412KT146 R,S
D802	X-D1VT001330	DIODE,SILICON 1SS133T-77	Q903	X-T8YJ2412K0	TRANSISTOR,SILICON 2SC2412KT146 R,S
D803	X-D1VT001330	DIODE,SILICON 1SS133T-77	Q1001	X-0002700590	PHOTO COUPLER RPI-301
D1001	X-D2WT011E10	DIODE,SILICON 11E1-EIC	Q1002	X-T8YJ2412K0	TRANSISTOR,SILICON 2SC2412KT146 R,S
D1002	X-D1VT001330	DIODE,SILICON 1SS133T-77	Q1003	X-0002M00610	PHOTO COUPLER SG-276
D1003	X-0010600060	LED SID1050CM	Q1004	X-TNYJC05001	COMPOUND TRANSISTOR DTC124EKAT146
D1004	X-D92T1120B0	DIODE,ZENER RD12FB-T7	Q1005	X-0002700590	PHOTO COUPLER RPI-301
D1005	X-D2WT011E10	DIODE,SILICON 11E1-EIC	Q1009	X-0002M00610	PHOTO COUPLER SG-276
D1009	X-D1VT001330	DIODE,SILICON 1SS133T-77	Q1013	X-0000100380	PHOTO TRANSISTOR PNA2604M010R
D1010	X-D97U01301B	DIODE,ZENER MTZJ13B T-77	Q4001	X-TC3T033310	TRANSISTOR,SILICON 2SC3331(S,T,U)-A
D1011	X-D97U01301B	DIODE,ZENER MTZJ13B T-77	Q4002	X-TC3T033310	TRANSISTOR,SILICON 2SC3331(S,T,U)-A
D1012	X-D1VT001330	DIODE,SILICON 1SS133T-77	Q4003	X-TPYTC03001	COMPOUND TRANSISTOR DTA124ESTP
D1014	X-D97U05R11B	DIODE,ZENER MTZJ5.1B T-77	Q4004	X-T8YJ2412K0	TRANSISTOR,SILICON 2SC2412KT146 R,S
D4003	X-D97U01301B	DIODE,ZENER MTZJ13B T-77	Q4005	X-TA3T013180	TRANSISTOR,SILICON 2SA1318(S,T)-AA
D4004	X-D97U01301B	DIODE,ZENER MTZJ13B T-77	Q4006	X-TD3T007340	TRANSISTOR,SILICON 2SD734(E,F)-AA
D4201	X-D97U05R61B	DIODE,ZENER MTZJ5.6B T-77	Q4007	X-T6YJ1037K0	TRANSISTOR,SILICON 2SA1037AKT146R,S
D4203	X-D97U06R81B	DIODE,ZENER MTZJ6.8B T-77	Q4008	X-T8YJ2412K0	TRANSISTOR,SILICON 2SC2412KT146 R,S
D4204	X-D1VT001330	DIODE,SILICON 1SS133T-77	Q4009	X-T6YA1037K0	TRANSISTOR,SILICON 2SA1037KT147(R,S)
D4206	X-D97U01301B	DIODE,ZENER MTZJ13B T-77	Q4010	X-T8YJ2412K0	TRANSISTOR,SILICON 2SC2412KT146 R,S
D5501	X-D1VT001330	DIODE,SILICON 1SS133T-77	Q4201	X-TNYJB05001	COMPOUND TRANSISTOR DTC114EKAT146
ICS			Q4203	X-T8YJ2412K0	TRANSISTOR,SILICON 2SC2412KT146 R,S
IC301	X-I06DF62420	IC M62420SP	Q4205	X-TNYJB05001	COMPOUND TRANSISTOR DTC114EKAT146
IC352	X-I0FSP75220	IC AN7522	Q4206	X-TNYJB05001	COMPOUND TRANSISTOR DTC114EKAT146
△ IC401	X-I03TD80400	IC LA78040	Q4210	X-T6YJ1037K0	TRANSISTOR,SILICON 2SA1037AKT146R,S
△ IC501	X-I1KA97805A	IC KIA7805API	Q4211	X-T8YJ2412K0	TRANSISTOR,SILICON 2SC2412KT146 R,S
△ IC502	X-I2BT06624G	IC STR-G6624	Q4212	X-T6YJ1037K0	TRANSISTOR,SILICON 2SA1037AKT146R,S
△ IC506	X-0002500450	PHOTO COUPLER TLP621(GR)	COILS & TRANSFORMERS		
IC601	X-I06FC1203C	IC M61203CFP	L001	X-02A1281872	CORE,TRIDAL KR16TT281807D
△ IC603	X-I1KA97809A	IC KIA7809API	L301	X-02167D101K	COIL 100 UH
	X-I1KA978090	IC KIA7809PI	L302	X-02167D101K	COIL 100 UH
IC901	X-I05FE90A45	IC TC90A45F	L401	X-021679472K	COIL 4.7 MH
IC1001	X-I56F57043C	IC OEC7043C	△ L402	X-022100027A	COIL,LINEARITY ELH5L4113N
IC1002	X-I9UJ0T600H	IC PST600H	L481	X-02D8000012	TIB PIN PHASE COIL D8000012
IC1003	X-I07SQ69550	IC BA6955N	△ L501	X-029X000088	COIL,LINE FILTER SS24V-15045
IC1099	X-A57202B015	IC S-24C04BDP-LA	△ L503	X-028R200024	COIL,DEGAUSS 8R200024
IC4001	X-I03F31067S	IC LA71067SM-MPB	L602	X-021LA62R7K	COIL 2.7 UH
IC5501	X-I01F62FBP0	IC AN3662FBP	L603	X-021673101K	COIL 100 UH
TRANSISTORS			L605	X-021LA62R7K	COIL 2.7 UH
Q350	X-T8YJ2412K0	TRANSISTOR,SILICON 2SC2412KT146 R,S	L607	X-021LA6100K	COIL 10 UH
Q401	X-TA3T016240	TRANSISTOR,SILICON 2SA1624-AA	L608	X-021673101K	COIL 100 UH
Q402	X-TNYTJ03001	COMPOUND TRANSISTOR DTC114TSTP	L610	X-02167D101K	COIL 100 UH
Q403	X-TNYTJ03001	COMPOUND TRANSISTOR DTC114TSTP	L613	X-021LA62R2K	COIL 2.2 UH
Q404	X-TA5T010154	TRANSISTOR,SILICON 2SA1015Y(TPE2)	L614	X-021LA66R8K	COIL 6.8 UH
△ Q405	X-TC3Q026210	TRANSISTOR,SILICON 2SC2621(D,E)-RAC	L615	X-02167D101K	COIL 100 UH
△ Q406	X-TDUU024990	TRANSISTOR,SILICON 2SD2499(LB0EC1)	L616	X-02167D101K	COIL 100 UH
Q407	X-TC5T018154	TRANSISTOR,SILICON 2SC1815Y(TPE2)	L617	X-02A6A8A0A1	CORE,FERRITE HF57T18.5*10*10
Q408	X-TA5T010154	TRANSISTOR,SILICON 2SA1015Y(TPE2)	L618	X-021LA6330K	COIL 33 UH
Q409	X-TD30016670	TRANSISTOR,SILICON 2SD1667(R,S)	L620	X-021LA6470J	COIL 47 UH
Q410	X-TNYTJ03001	COMPOUND TRANSISTOR DTC114TSTP	L801	X-02167D151K	COIL 150 UH
Q501	X-TDWT00400E	TRANSISTOR,SILICON 2SD400E	L802	X-02167D820K	COIL 82 UH
Q502	X-TA3T1371A0	TRANSISTOR,SILICON 2SA1371(D,E)-AE	L804	X-02167D820K	COIL 82 UH
Q503	X-TA3T1371A0	TRANSISTOR,SILICON 2SA1371(D,E)-AE	L901	X-02167D821K	COIL 820 UH
Q504	X-TC5T018154	TRANSISTOR,SILICON 2SC1815Y(TPE2)	L902	X-021673151K	COIL 150 UH
Q505	X-TC3T029090	TRANSISTOR,SILICON 2SC2909(S,T)-AA	L903	X-02167F150J	COIL 15 UH
Q507	X-TCST009450	TRANSISTOR,SILICON 2SC945(C)-T(P,Q)	L904	X-021LA6820K	COIL 82 UH
△ Q508	X-TB3T008920	TRANSISTOR,SILICON 2SB892(S,T)-AE	L1001	X-021LA62R2K	COIL 2.2 UH
Q509	X-TNYTJ03001	COMPOUND TRANSISTOR DTC114TSTP	L4001	X-02167F220J	COIL 22 UH
Q512	X-TC3T029090	TRANSISTOR,SILICON 2SC2909(S,T)-AA	L4002	X-02167F470J	COIL 47 UH
Q513	X-TNYTB03001	COMPOUND TRANSISTOR DTC114ESTP	L4003	X-021673101J	COIL 100 UH
Q601	X-T6YJ1037K0	TRANSISTOR,SILICON 2SA1037AKT146R,S	L4004	X-0326230038	COIL,TRAP 2623003
△ Q602	X-TC10013840	TRANSISTOR,SILICON 2SC13840W	L4005	X-02167F220J	COIL 22 UH
△ Q603	X-TC10013840	TRANSISTOR,SILICON 2SC13840W	L4007	X-021LA6101K	COIL 100 UH
Q604	X-T8YJ2412K0	TRANSISTOR,SILICON 2SC2412KT146 R,S	L4009	X-02167F101J	COIL 100 UH
Q605	X-TB3T008920	TRANSISTOR,SILICON 2SB892(S,T)-AE	L4010	X-02167F101J	COIL 100 UH
△ Q606	X-TC5T021204	TRANSISTOR,SILICON 2SC2120Y(TPE2)	L4205	X-021673101K	COIL 100 UH
Q607	X-T8YJ2412K0	TRANSISTOR,SILICON 2SC2412KT146 R,S	L5501	X-021673101K	COIL 100 UH
Q609	X-TNYJD05001	COMPOUND TRANSISTOR DTC114EKAT146	L5503	X-021LA6820K	COIL 82 UH
△ Q610	X-TD3T007340	TRANSISTOR,SILICON 2SD734(E,F)-AA	L5504	X-02167F220J	COIL 22 UH
△ Q611	X-TD3T007340	TRANSISTOR,SILICON 2SD734(E,F)-AA	L5505	X-02167F220J	COIL 22 UH
Q612	X-TC3T030000	TRANSISTOR,SILICON 2SC3000-AA	L5506	X-02167F101J	COIL 100 UH
△ Q801	X-TC3Q026210	TRANSISTOR,SILICON 2SC2621(D,E)-RAC			

ELECTRICAL REPLACEMENT PARTS LIST

REF. NO.	PART NO.	DESCRIPTION	REF. NO.	PART NO.	DESCRIPTION
COILS & TRANSFORMERS			MISCELLANEOUS		
T401	X-045013001J	TRANS,HORIZONTAL DRIVE 5013001	CD4001	X-122L061501	CORD,JUMPER 2L061501
△ T501	X-0481350524	TRANSFORMER,SWITCHING 81350524	CD4203	X-06CH01812A	CORD,EIS CONNECTOR CH01812A
T4001	X-031626007S	COIL,BIAS OSC 1626007	CP1004	X-0697280590	CONNECTOR PCB SIDE TMC-J08P-B1
JACKS			CP1005	X-069J750029	CONNECTOR PCB SIDE IMSA-9604S-05Z14
△ J351	X-060G131014	RCA JACK HTJ-035-28A	CP1006	X-069J740029	CONNECTOR PCB SIDE IMSA-9604S-04Z14
J701	X-0602431013	RCA JACK JPJ1187-010010	CP4001	X-0697290620	CONNECTOR PCB SIDE TOC-C09X-A1
△ J801	X-066C130017	SOCKET,CRT CVT3275-5101	CP4002	X-069J760029	CONNECTOR PCB SIDE IMSA-9604S-06Z14
J4201	X-060Q431016	RCA JACK AV3-19S-1	CP4003	X-0697120320	CONNECTOR PCB SIDE TMC-T02X-E1
J4202	X-060Q411012	RCA JACK AV3-19-1	CP4201	X-069E2A0129	CONNECTOR PCB SIDE 8283_1012_00_000
SWITCHES			CP4202	X-069E2B0129	CONNECTOR PCB SIDE 8283_1112_00_000
SW751	X-0504201T32	SWITCH,TACT SKQNAED010	CP803A	X-067R105019	WIRE HOLDER 51052-0500
SW791	X-0504201T32	SWITCH,TACT SKQNAED010	CP803B	X-067R105019	WIRE HOLDER 51052-0500
SW792	X-0504201T32	SWITCH,TACT SKQNAED010	CUS011	X-800WFAA006	CUSHION-A
SW793	X-0504201T32	SWITCH,TACT SKQNAED010	CUS012	X-800WFAA007	CUSHION-B
SW794	X-0504201T32	SWITCH,TACT SKQNAED010	CUS013	X-800WFAA008	CUSHION-C
SW795	X-0504201T32	SWITCH,TACT SKQNAED010	EL001	X-124116281A	EYE LET XRY16X28BD
SW796	X-0504201T32	SWITCH,TACT SKQNAED010	EL002	X-124120301A	EYE LET XRY20X30BD
SW797	X-0504201T32	SWITCH,TACT SKQNAED010	△ F501	X-081PC6R304	FUSE 51MS063LCC
SW798	X-0504201T32	SWITCH,TACT SKQNAED010	△ F502	X-081PC2R504	FUSE 51MS025LCC
SW799	X-0504201T32	SWITCH,TACT SKQNAED010	△ FB401	X-043221011Q	TRANSFORMER,FLYBACK 3221011Q
SW1001	X-0508221001	SWITCH (LEAF) SPVF130100	FH501	X-06710T0006	HOLDER,FUSE EYF-52BC
VARIABLE RESISTORS			FH502	X-06710T0006	HOLDER,FUSE EYF-52BC
VR401	X-V1163H4BTC	VOLUME,SEMI FIXED EVNCYAA03BE4	FH503	X-06710T0006	HOLDER,FUSE EYF-52BC
VR402	X-V1163H4BTC	VOLUME,SEMI FIXED EVNCYAA03BE4	FH504	X-06710T0006	HOLDER,FUSE EYF-52BC
VR404	X-V1163E3BTC	VOLUME,SEMI FIXED EVNCYAA03BC3	OS753	X-077Q000019	REMOTE RECEIVER PIC-28143TC5
VR502	X-V1163Q2BTC	VOLUME,SEMI FIXED EVNCYAA03BQ2	△ RY501	X-0560Q20114	RELAY SDT-S-112LMR
VR6001	X-V1262Q3BT6	VOLUME,SEMI FIXED RH063LCS3R	△ SP351	X-070W133014	SPEAKER P-300S-2
MISCELLANEOUS			△ SP352	X-070W133014	SPEAKER P-300S-2
B301	X-024AT03655	CORE,BEADS BL01RN1-A63T6	△ TH501	X-DF20A3R0Q0	DEGAUSS ELEMENT PTH451A3R0Q11
B502	X-024AT03482	CORE,BEADS BL02RN2-R62T4	TM101	X-076G0DY010	TRANSMITTER RM-C393G-1H
B504	X-024AT03655	CORE,BEADS BL01RN1-A63T6	△ TU601	X-0145W00052	TUNER,VHF-UHF NJH3022U268
B505	X-024AT03482	CORE,BEADS BL02RN2-R62T4	X602	X-100CT3R505	CRYSTAL HC-49/C 3.579545MHZ
B1001	X-024AT03481	CORE,BEADS BL02RN1-R62T2	X1001	X-100CT01207	CRYSTAL HC-49/U-S 12MHZ
B4002	X-024AT03481	CORE,BEADS BL02RN1-R62T2	X1002	X-100DA32R01	CRYSTAL DT-26 32.768
B4003	X-024AT03655	CORE,BEADS BL01RN1-A63T6	X4001	X-100CF3R512	CRYSTAL HC-49/U 3.579545MHZ
B4004	X-024AT03655	CORE,BEADS BL01RN1-A63T6	RESISTOR RC..... CARBON RESISTOR CAPACITORS CC..... CERAMIC CAPACITOR CE..... ALUMI ELECTROLYTIC CAPACITOR CP..... POLYESTER CAPACITOR CPP..... POLYPROPYLENE CAPACITOR CPL..... PLASTIC CAPACITOR CMP..... METAL POLYESTER CAPACITOR CMPL..... METAL PLASTIC CAPACITOR CMPP..... METAL POLYPROPYLENE CAPACITOR		
B4005	X-024AT03655	CORE,BEADS BL01RN1-A63T6			
BT001	X-141L003010	BATTERY,MANGAN R6P(AR)XICI			
BT002	X-141L003010	BATTERY,MANGAN R6P(AR)XICI			
CD302	X-06CH01812A	CORD,EIS CONNECTOR CH01812A			
CD355	X-06CH12435A	CORD,CONNECTOR CH12435A			
CD356	X-06CH12440A	CORD,CONNECTOR CH12440A			
△ CD501	X-120R614909	CORD,AC 0R614909			
CD601	X-06CH2D068A	CORD,CONNECTOR CH2D068A			
CD702	X-06CH2B032A	CORD,CONNECTOR CH2B032A			
CD704	X-06CH2D001A	CORD,CONNECTOR CH2D001A			
CD757	X-06CH2A012A	CORD,CONNECTOR CH2A012A			
CD802	X-06CP83035A	CORD,CONNECTOR CP83035A			
CD803	X-122E054402	CORD,JUMPER 2E054402			
CD810	X-06CH28112A	CORD,CONNECTOR CH28112A			
CD850	X-06CH25086A	CORD,CONNECTOR CH25086A			
CF601	X-1022T45R72	FILTER,SAW SAF45MFY220ZR			
CF602	X-1012T04702	FILTER,CERAMIC TRAP MKT47.3MC110P-TF			
CF603	X-1011T4R504	FILTER,CERAMIC EFCT4R5YS5A			
CF604	X-1011T4R517	FILTER,CERAMIC EFCT4R5MW5			
△ CP401	X-069X450029	CONNECTOR PCB SIDE B05B-DVS			
△ CP501	X-0697320039	CORD,UX CONNECTOR THL-P03P-B1			
△ CP502	X-069W420029	CONNECTOR PCB SIDE TV-50P-02-A1			
CP602	X-069E270129	CONNECTOR PCB SIDE 8283_0712_00_000			
CP604	X-069J160038	CONNECTOR PCB SIDE IMSA-9130B-06			
CP704	X-069E2D0129	CONNECTOR PCB SIDE 8283_1312_00_000			
CP801	X-069W010010	CONNECTOR PCB SIDE 005P-2100			
CP802	X-069W330018	CONNECTOR PCB SIDE TS-80P-03-V1			
CP805	X-069E250129	CONNECTOR PCB SIDE 8283_0512_00_000			
CP810	X-069E280129	CONNECTOR PCB SIDE 8283_0812_00_000			
CP820	X-069E2D0129	CONNECTOR PCB SIDE 8283_1312_00_000			
CY901	X-069J160048	CONNECTOR PCB SIDE IMSA-9130S-06L			
CD1001	X-122L040904	CORD,JUMPER 2L040904			
CD1002	X-122F051702	CORD,JUMPER 2F051702			

ELECTRICAL REPLACEMENT PARTS LIST



ACCESSORY REPLACEMENT PARTS LIST

REF. NO.	PART NO.	DESCRIPTION
1	X-076G0DY010	REMOCON RM-C393G-1H
2	X-JB5KD500	POLYBAG
3	X-J5500115	SERVICE STATION LIST
4	X-J5500117	REGISTRATION CARD
5	X-J5720201	INSTRUCTION BOOK
6	X-J5500112	GUARANTEE CARD
7	X-J5501202	GUARANTEE CARD
8	X-791WHA0085	LAMIFILM,BAG
9	X-792WHA0288	PACKAGE, TOP
10	X-792WHA0289	PACKAGE, BOTTOM
11	X-793WCD1294	GIFT BOX

JVC SERVICE & ENGINEERING COMPANY OF AMERICA

DIVISION OF JVC AMERICAS CORP.

Head office :	1700 Valley Road, Wayne, New Jersey 07470	(973)315-5000
East Coast :	10 New Maple Avenue, Pine Brook, New Jersey 07058	(973)396-1000
Midwest :	705 Enterprise St. Aurora, Illinois 60504	(630)851-7855
West Coast :	5665 Corporate Avenue, Cypress, California 90630	(714)229-8011
Southwest :	10700 Hammerly, Suite 105, Houston, Texas 77043	(713)935-9331
Hawaii :	2969 Mapunapuna Place, Honolulu, Hawaii 96819	(808)833-5828
Southeast :	1500 Lakes Parkway, Lawrenceville, Georgia 30243	(770)339-2582

JVC CANADA INC.

Head office :	21 Finchdene Square Scarborough, Ontario M1X 1A7	(416)293-1311
Vancouver :	13040 Worster Court Richmond B.C. V6V 2B3	(604)270-1311

JVC